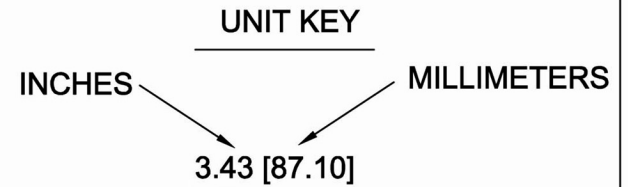
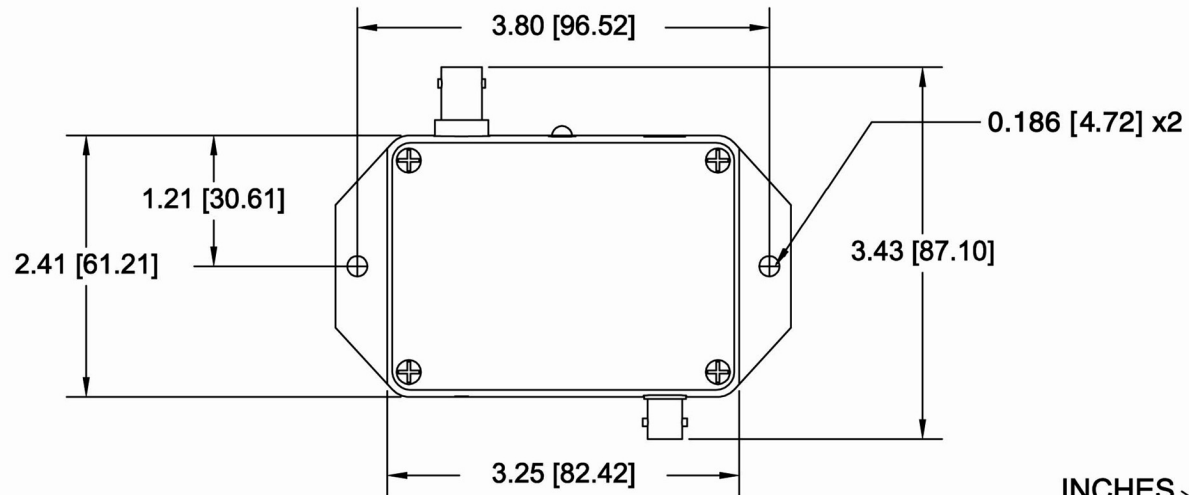
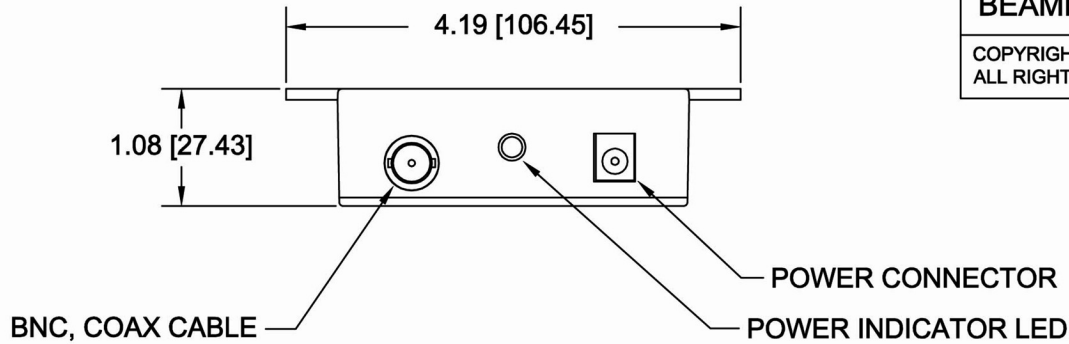


BEAMER-V™ (AM VIDEO)

PART NUMBER

3105

COPYRIGHT 1999 BY COMMUNICATIONS SPECIALTIES INC.
ALL RIGHTS RESERVED.



DISCLAIMER:
ALL SPECIFICATIONS SUBJECT TO CHANGE WITHOUT NOTICE.
THE INFORMATION ON THIS DRAWING IS PROPRIETARY AND CONFIDENTIAL.

CSI Communications Specialties, Inc.

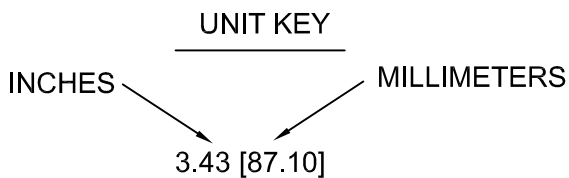
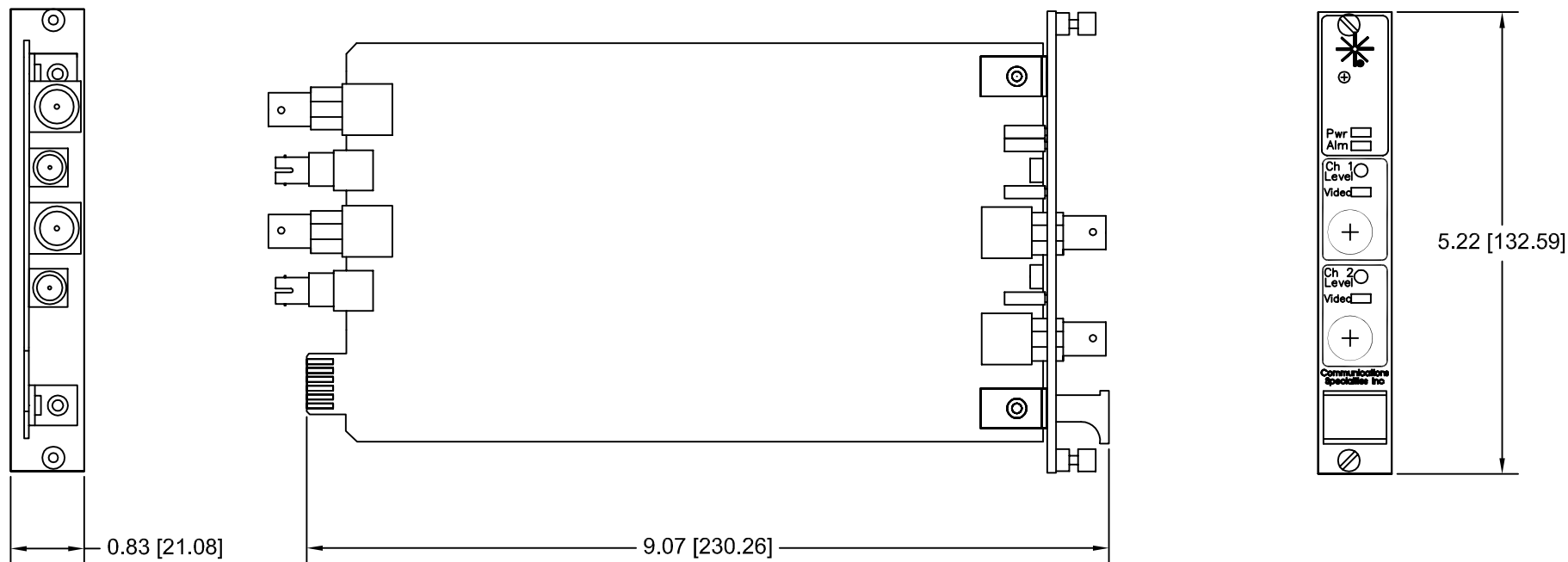
WWW.COMMSPECIAL.COM / LONG ISLAND N.Y. U.S.A.

The logo for CSI Communications Specialties, Inc. features three stylized, overlapping shapes that resemble the letters 'C', 'S', and 'I'. Below the logo, the company name is written in a bold, sans-serif font. At the bottom, the website address and location are provided.

BEAMER™ AM VIDEO
DUAL, CARD

PART NUMBER
3108A/3109A

COPYRIGHT 2002 BY COMMUNICATIONS SPECIALTIES INC.
ALL RIGHTS RESERVED.



DISCLAIMER:
ALL SPECIFICATIONS SUBJECT TO CHANGE WITHOUT NOTICE.

THE INFORMATION ON THIS DRAWING IS PROPRIETARY AND CONFIDENTIAL.
THIS DRAWING MAY NOT BE USED OR REPRODUCED IN ANY MANNER
WITHOUT PRIOR WRITTEN APPROVAL.

 Communications
Specialties, Inc.

WWW.COMMSPECIAL.COM / LONG ISLAND N.Y. U.S.A.