

---

# ***Scan Do Pro II***

**(and Scan Do Pro II/D)**

High Resolution VGA and Macintosh®  
Computer-to-Video Scan Converter

## **RS-232 REMOTE CONTROL PROTOCOL**

 Communications  
  Specialties, Inc.

WORLDHEADQUARTERS  
55 Cabot Court  
Hauppauge, NY 11788 USA  
TEL: (631) 273-0404 FAX: (631) 273-1638  
WWW: <http://www.commspecial.com>  
EMAIL: [info@commspecial.com](mailto:info@commspecial.com)

Communciations Specialties Pte Ltd  
Serving the Asia Pacific Region  
100 Beach Road  
#22-09 Shaw Tower  
Singapore 189702  
TEL: +65 6391 8790 FAX: +65 6396 0138  
EMAIL: [csiasia@commspecial.com](mailto:csiasia@commspecial.com)

# CONTENTS

Communications Specialties, Inc.  
55 Cabot Court  
Hauppauge, NY 11788 USA  
TEL: (631) 273-0404  
FAX: (631) 273-1638  
WWW: <http://www.commspecial.com>  
EMAIL: [info@commspecial.com](mailto:info@commspecial.com)

Communications Specialties Pte Ltd  
100 Beach Road  
#22-09 Shaw Tower  
Singapore 189702  
TEL: +65 6391 8790  
FAX: +65 6396 0138  
EMAIL: [csiasia@commspecial.com](mailto:csiasia@commspecial.com)

Introduction .....	2
Operation .....	2
Communication Parameters .....	2
Command Formats .....	3
Remote Command Table .....	4

## INTRODUCTION

Thank you for purchasing *Scan Do Pro II*, the amazingly affordable, high-performance, computer-to-video scan converter. This manual only includes information regarding the RS-232 Remote Control Protocol for Scan Do Pro II. For complete operating instructions, please refer to the User's Manual that came with your unit.

Should you need to contact us for support, our office is open Monday through Friday, from 8:30 AM to 5:00 PM Eastern Time. We also offer a comprehensive web site for your added convenience.

Thank you for choosing Scan Do Pro II. As always, we welcome your comments and suggestions.

## OPERATION

- 9600 Baud
- 8 data bits, no parity, 1 stop bit
- Generic TTY
- No flow control

### COMMUNICATION PARAMETERS:

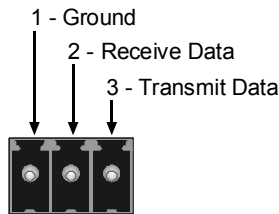


FIGURE 1: RS-232 MALE RECEPTACLE

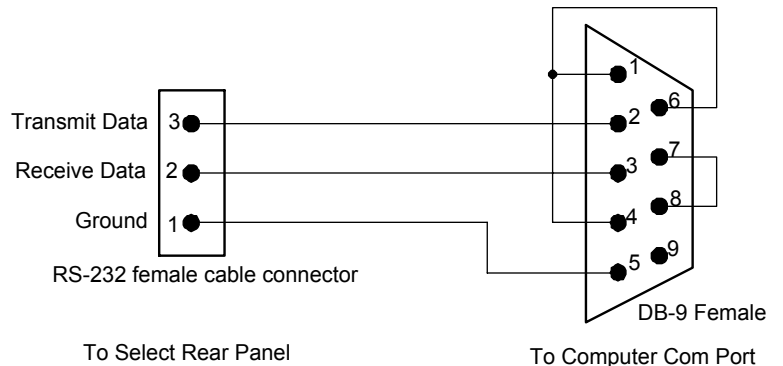


FIGURE 2: SCAN DO PRO II RS-232 REMOTE TO COMPUTER CABLE CONNECTION

**COMMAND FORMATS:**

All commands are case insensitive. Illegal commands, or commands with illegal parameters have no effect. The unit will return an error message.

Please note that a carriage return is a carriage return only and not a carriage return with a line feed.

**COMMAND SYNTAX TO UNIT:**

The following table lists the syntax for the user remote protocol commands.

**Command Syntax Table**

Command Description	Syntax
write command	no parameters with data
read command	no parameters

Where:

↵ = carriage return, no line feed

xx = two letter command

zz = data from 1 to 3 digits in decimal

**RESPONSE SYNTAX FROM UNIT:**

The table below lists the possible responses back from the Scan Do Pro II.

**Response Syntax Table**

Response Description	Syntax
Welcome message	↵unit title version compile date compile time ↵>
Hardware Failure	↵Hardware Failure↵>
Good command, no data back	↵>
Good command, data back	↵xx:=zz↵>
Unrecognized two letter command	↵E1 ↵>
Parameter out of range	↵E2 ↵>
Syntax error	↵E3 ↵>
Not valid with current state	↵E4 ↵>
Communication error during reception of command	↵E5 ↵>
Timing error – previous command not yet serviced.	↵E6 ↵>

Where:

↵ = carriage return, no line feed

xx = two letter command

zz = data from 1 to 3 digits in decimal

**EXAMPLE COMMAND:**

To change the antiflicker to level 2, send the following: af:2↵

The unit will send back: ↵>

To read the antiflicker level, send: af:↵

The unit will reply with: ↵af:=2↵>

**USER REMOTE COMMANDS:**

All commands that are available to the Scan Do Pro II user are listed in the User Command Remote Table on the following page.

**USER REMOTE  
COMMAND TABLE:**

Two letter command name	Parameter <sup>1</sup>	Description	Available commands	Default Value
sr	N/A <sup>2</sup>	System reset to factory defaults	write only	-
vd	N/A <sup>2</sup>	Vertical default	write only	-
hd	N/A <sup>2</sup>	Horizontal default	write only	-
pl	N/A <sup>2</sup>	Pan left	write only	-
pr	N/A <sup>2</sup>	Pan right	write only	-
pu	N/A <sup>2</sup>	Pan up	write only	-
pd	N/A <sup>2</sup>	Pan down	write only	-
jl	1 to 999	Jump left by X pans <sup>3</sup>	write only	-
jr	1 to 999	Jump right by X pans <sup>3</sup>	write only	-
ju	1 to 999	Jump up by X pans <sup>3</sup>	write only	-
jd	1 to 999	Jump down by X pans <sup>3</sup>	write only	-
qd	0	Move to upper right quadrant	read & write	-
	1	Move to upper left quadrant		
	2	Move to lower left quadrant		
	3	Move to lower right quadrant		
zm	0	Zoom 0.85x	read & write	1
	1	Zoom 1.0x		
	2	Zoom 1.3x		
	3	Zoom 1.6x		
	4	Zoom 2.0x		
af	0	No antiflicker	read & write	0
	1	Antiflicker level 1		
	2	Antiflicker level 2		
	3	Antiflicker level 3		
	4	Maximum antiflicker		
lg	0	Unlock Genlock & Phasing keys	read & write	0
	1	Lock Genlock & Phasing keys		
lk	0	Unlock front panel	read & write	0
	1	Lock front panel		
lt	0	LED test mode off	read & write	0
	1	LED test mode on		
te	0	Test mode off	read & write	0
	1	Test mode on		
fz	0	Freeze disabled	read & write	0
	1	Freeze enabled		
gl	0	Genlock mode off	read & write	0
	1	Genlock mode on		
ph	0 to 250	H phase	read & write	125

Two letter command name	Parameter <sup>1</sup>	Description	Available commands	Default Value
ps	0 to 255	Subcarrier phase	read & write	128
vf	0	Vertical filter off	read & write	0
	1	Vertical filter on		
cs	0	RGB color space	read & write	1
	1	YUV color space		
vn	N/A <sup>2</sup>	Returns unit model name with firmware version number, date and time in the following format.  Scan Do Pro II Version 1.4, Aug 23 2000, 17:27:08	read only	-
ot	0	Output format NTSC	read only	-
	1	Output format PAL		
gv	0	Unit not genlocked	read only	-
	1	Valid genlock condition		
in	0	Input format VGA 640x 400	read only	-
	1	Input format VGA 640 x 480		
	2	Input format VGA 800 x 600		
	3	Input format MAC 832 x 624		
	4	Input format VGA 800 x 600, 72 Hz		
	5	Input format VGA 1024 x 768		
	6	Input format VGA 1152 x 864		
	7	Input format SUN 1152 x 900		
	8	Input format VGA 1280 x 960		
	9	Input format VGA 1280 x 1024		
	10	Input format Input Error		

1. All numbers are in decimal.
2. N/A = not applicable
3. A command that is issued with a parameter that exceeds the limits of the panning range will cause the image to pan to the limit.