
Scan Do® ***SELECT***

High Resolution VGA and Macintosh®
Computer-to-Video Scan Converter

RS-232 REMOTE CONTROL PROTOCOL

Second Edition

October, 1999



WORLD HEADQUARTERS
55 Cabot Court
Hauppauge, NY 11788 USA
TEL: (631) 273-0404 FAX:(631) 273-1638
WWW: <http://www.commspecial.com>
EMAIL: info@commspecial.com

Singapore Representative Office
7500A Beach Road
#15-314 The Plaza
Singapore 199591
TEL: +65 293 0258 FAX: +65 293 1538
EMAIL: csiasia@commspecial.com

CONTENTS

Communications Specialties, Inc.
55 Cabot Court
Hauppauge, NY 11788 USA
TEL: (631) 273-0404
FAX: (631) 273-1638
WWW: <http://www.commspecial.com>
EMAIL: info@commspecial.com

CSI Asia
(Singapore Representative Office):
7500A Beach Road
#15-314 The Plaza
Singapore 199591
TEL: +65 293 0258
FAX: +65 293 1538
EMAIL: csiasia@commspecial.com

| | |
|--------------------------------|---|
| Introduction | 2 |
| Operation | 2 |
| Communication Parameters | 2 |
| Command Formats | 3 |
| Remote Command Table | 4 |

INTRODUCTION

Thank you for purchasing *Scan Do Select*, the amazingly affordable, high-performance, computer-to-video scan converter. This manual only includes information regarding the RS-232 Remote Control Protocol for Scan Do Select. For complete operating instructions, please refer to the User's Manual that came with your unit.

Should you need to contact us for support, our office is open Monday through Friday, from 8:30 AM to 5:00 PM Eastern Time. We also offer a comprehensive web site for your added convenience.

Thank you for choosing Scan Do Select. As always, we welcome your comments and suggestions.

OPERATION

COMMUNICATION PARAMETERS:

- 9600 Baud
- 8 data bits, no parity, 1 stop bit
- Generic TTY
- No flow control

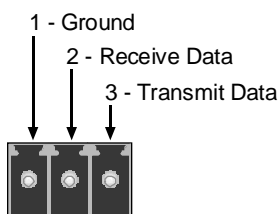


FIGURE 1: RS-232 MALE RECEPTACLE

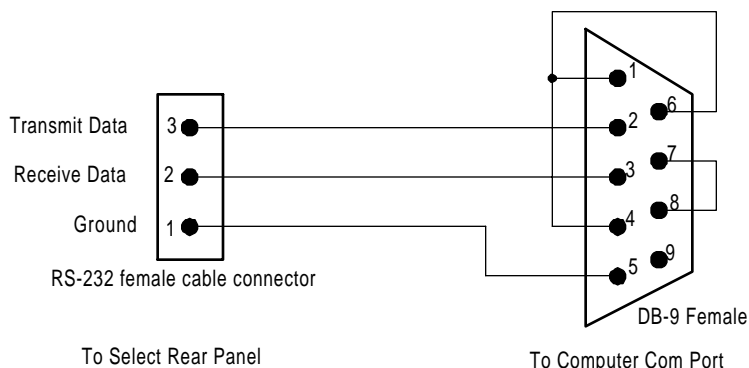


FIGURE 2: SCAN DO SELECT RS-232
REMOTE TO COMPUTER CABLE CONNECTION

COMMAND FORMATS:

All commands are case insensitive. Illegal commands, or commands with illegal parameters have no effect. The unit will return “Unknown Cmd”. A failed write command will send back “-1”.

Please note that a carriage return is a carriage return only and not a carriage return with a line feed.

Write Format for Commands *with* Parameters:

<two_letter_command_name>:,<parameter> <carriage_return>

For example, send the following command to set the zoom to 1.6x.

zm:,3.↵

Sending <two_letter_command_name>:,<carriage_return> without the parameter will set the command to parameter 0.

Write Format for Commands *without* Parameters:

<two_letter_command_name><carriage_return>

As an example, reset to the factory defaults by sending the following command: re.↵

Read Format:

<two_letter_command_name>:<carriage_return>

returns

<two_letter_command_name>:=<parameter_value>

For instance, read the zoom setting by sending the following read command: zm:↵

The unit will send back the following message: zm:=3

The read only command, fm, which reads the unit’s firmware version is the only command that does not return the information in the format listed above. It returns the model name and the firmware’s version number, date and time. See the Remote Command Table for more details.

Commands that do not have parameters and the four jump commands (jl, jr, ju, jd) cannot be read. Trying to read these commands will return the “Unknown Cmd” message.

**REMOTE COMMAND
TABLE:**

| Two letter command name | Parameter | Description | Available commands |
|-------------------------|-----------|---|--------------------|
| re | N/A | System reset to factory defaults | write only |
| vd | N/A | Vertical default | write only |
| hd | N/A | Horizontal default | write only |
| pl | N/A | Pan left | write only |
| pr | N/A | Pan right | write only |
| pu | N/A | Pan up | write only |
| pd | N/A | Pan down | write only |
| jl | 1 to 999 | Jump left by X pans | write only |
| jr | 1 to 999 | Jump right by X pans | write only |
| ju | 1 to 999 | Jump up by X pans | write only |
| jd | 1 to 999 | Jump down by X pans | write only |
| qd | 0 | Move to upper right quadrant | read and write |
| | 1 | Move to upper left quadrant | |
| | 2 | Move to lower left quadrant | |
| | 3 | Move to lower right quadrant | |
| zm | 0 | Zoom 0.85x | read and write |
| | 1 | Zoom 1.0x | |
| | 2 | Zoom 1.3x | |
| | 3 | Zoom 1.6x | |
| | 4 | Zoom 2.0x | |
| af | 0 | No antiflicker | read and write |
| | 1 | Antiflicker level 1 | |
| | 2 | Antiflicker level 2 | |
| | 3 | Antiflicker level 3 | |
| | 4 | Maximum antiflicker | |
| lk | 0 | Unlock front panel | read and write |
| | 1 | Lock front panel | |
| te | 0 | Test mode off | read and write |
| | 1 | Test mode on | |
| fz | 0 | Freeze disabled | read and write |
| | 1 | Freeze enabled | |
| fm | N/A | Returns unit model name with firmware version number, date and time in the following format. Scan Do Select Version 1.4, Sep 7 1999, 10:58:23 | read only |
| ot | 0 | Output format NTSC | read only |
| | 1 | Output format PAL | |
| in | 0 | Input format VGA 640 x 400 | read only |
| | 1 | Input format VGA 640 x 480 | |
| | 2 | Input format VGA 800 x 600 | |
| | 3 | Input format MAC 832 x 624 | |
| | 4 | Input format VGA 800 x 600, 72 Hz | |
| | 5 | Input format VGA 1024 x 768 | |
| | 6 | Input format VGA 1152 x 864 | |
| | 7 | Input format SUN 1152 x 900 | |
| | 8 | Input format VGA 1280 x 1024 | |
| | 9 | Input format VGA 1280 x 1024 | |
| | a | Input format Input Error | |